



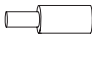



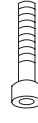



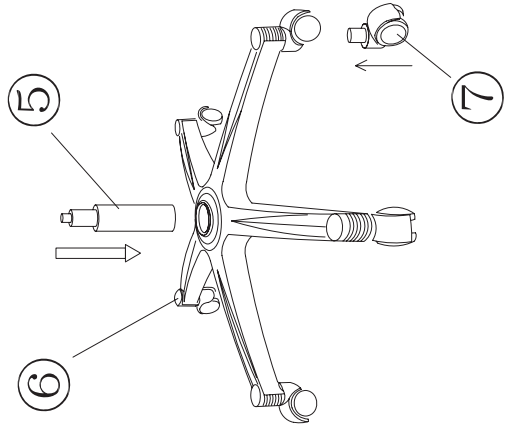
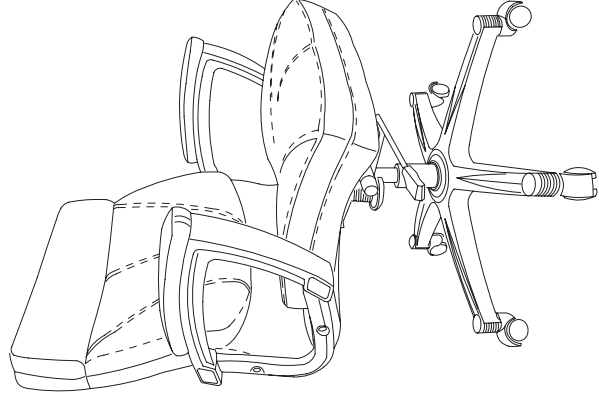
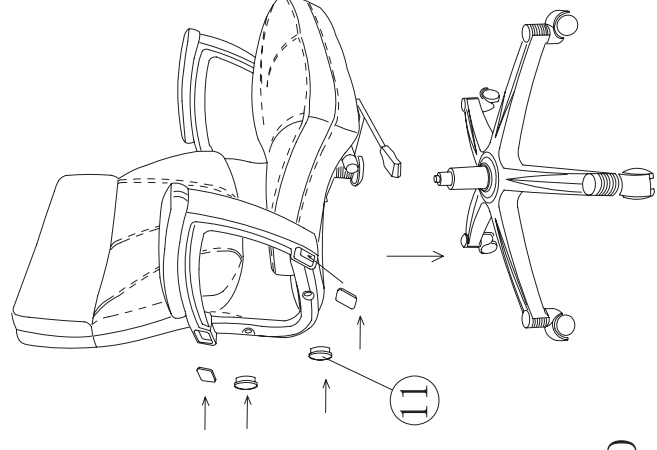
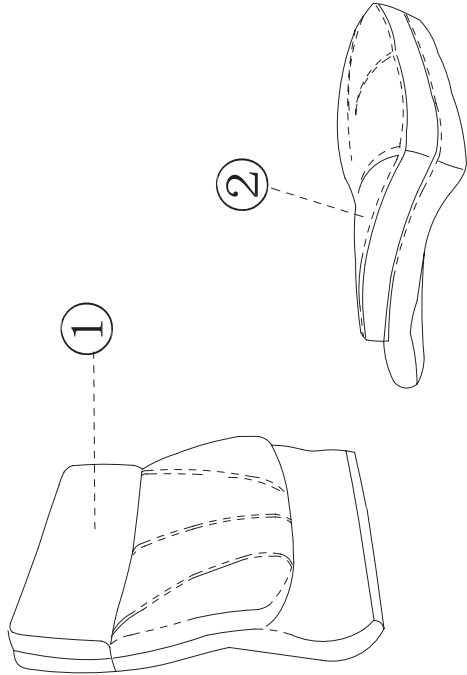
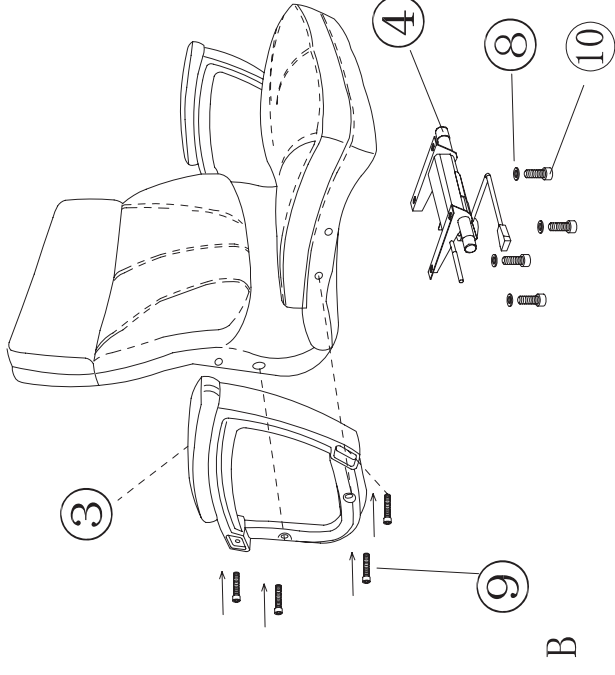


Voyager Office Chair Assembly Instructions

No.	Accessories	Size	QTY
①			1
②			1
③			2
④			1
⑤			1
⑥			1
⑦			5
⑧			4
⑨			8
⑩			4
⑪			8
Tool:			1



E

D

C